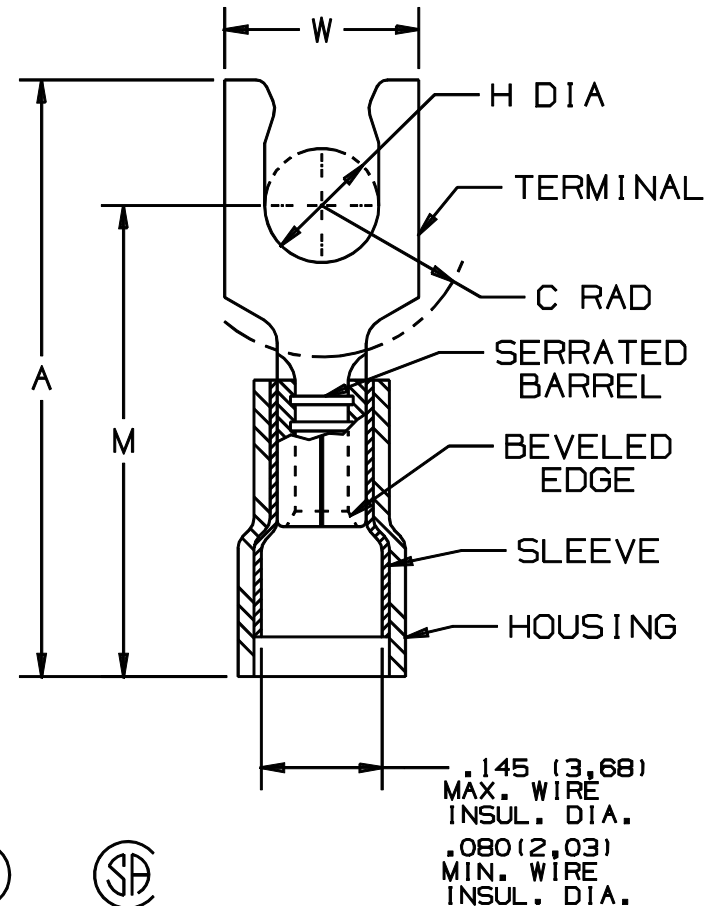




THIS COPY IS PROVIDED ON A RESTRICTED BASIS AND IS NOT TO BE USED IN ANY WAY DETRIMENTAL TO THE INTERESTS OF PANDUIT CORP.

PANDUIT PART NUMBER	STUD SIZE	DIMENSIONS in.				
		A $\pm .03$	W $\pm .01$	C $\pm .02$	M $\pm .03$	H $\pm .01$
PN18-6LF	#6	.82 (20,8)	.27 (6,9)	.22 (5,6)	.63 (16)	.14 (3,6)
PN18-6LFW	#6	.85 (21,5)	.29 (7,4)	.22 (5,6)	.64 (16,2)	.14 (3,6)
PN18-8LF	#8	.89 (22,7)	.29 (7,4)	.25 (6,4)	.68 (17,3)	.16 (4,1)
PN18-10LF	#10	.89 (22,5)	.33 (8,4)	.25 (6,4)	.68 (17,3)	.19 (4,8)
PN18-10LFN *	#10	.91 (23,2)	.29 (7,4)	.25 (6,4)	.73 (17,4)	.19 (4,8)


- UL LISTED AND CSA CERTIFIED FOR:
 - 600V. MAX. VOLTAGE RATING (1000V. IN SIGN FIXTURES AND LUMINAIRES)
 - #22-18 AWG SOLID OR STRANDED COPPER WIRE
 - TEMPERATURE RATING OF INSULATION: 105°C (221°F)
- MATERIAL:
 - STAMPING - .032 (.81) THK COPPER, TIN PLATED
 - HOUSING - RED NYLON
 - SLEEVE - BRASS, TIN PLATED
- PACKAGE QTY: STD. PKG. -C = 100
BULK PKG. -M = 1000
- DIMENSIONS IN BRACKETS ARE IN MILLIMETERS
- INSTALLATION TOOLS:
 - UL LISTED AND CSA CERTIFIED WITH: CT-100, CT-400 (U.L. ONLY), CT-1550 & CT-1551.
 - PANDUIT APPROVED: CT-160, CT-260
- WIRE STRIP LENGTH : $7/32" \pm 1/32" (5,6 \pm .8)$





 LISTED CERTIFIED
 587H LR31212
 E52164

* PN18-10LFN IS NOT UL LISTED OR CSA CERTIFIED.

A41290_07

7	1-01	EJS		UPDATED NOTE 1-C REMOVED INSTALLATION TOOLS CT-500, CT-550, REMOVED * APPROVED FOR EXPANDED WIRE RANGE #22-18*, METRIC NO. WERE 2 PLACES, FILE SPEC WAS M41290AA_PCD_06					 CORP. TINLEY PARK, ILLINOIS #22-18 BARREL NYLON INSULATED LOCKING FORK, .145 (3,68) MAX. WIRE INSULATION DIAMETER		
6	12-96	JAMB	RLS	ADDED DIM., "MIN. WIRE INSUL. DIA."	05378	LA	KRS				
5	11-95	ED	WJB	UPDATE NOTES AND REVISED DIMENSIONS		LA	KRS				
4	8-88	DW		REDRAWN WITH REVISIONS			JRB				
REV	DATE	BY	CHK	DESCRIPTION	ECN	CUST	PM	DRAWN BY DAW	CHK'D CJH	SCALE NONE	DRAWING NO. A41290